

CODE NUMBER

20001032

DESCRIPTION

ST-2009 Water Closet and GEM-2 116 Flushometer.

COMPONENTS

- Flushometer: Code 3070432
- Water Closet: Code 2102009

DETAILS

- Flush Volume: 1.28 gpf (4.8 Lpf)
- Nominal Dimensions: 26 ¾" x 14" x 15" (679 x 356 x 381mm)

FLUSHOMETER FEATURES

- Fixed Volume Piston with Filtered O-ring Bypass
- ADA Compliant Metal Oscillating Non-Hold-Open Handle
- 1" I.P.S. Screwdriver Bak-Chek® Angle Stop
- Control Stop Plug
- Vacuum Breaker Flush Connection
- Spud Coupling, Wall and Spud Flanges for 1 1/2" Top Spud
- Cast Set Wall Flange with Set Screw
- Sweat Solder Adaptor with cover tube
- Non-Hold-Open Handle and No External Volume Adjustment to Ensure Water Conservation
- Handle Packing, Stop Seat and Vacuum Breaker Molded from PERMEX® Rubber Compound for Chloramine Resistance
- Adjustable Tailpiece

FIXTURE FEATURES

- White Vitreous China
- Elongated bowl
- Floor mounted, floor outlet
- Siphon jet flushing action achieves 1000g Map score when used with any Sloan flushometer
- Water spot area: 10 1/8" x 9 3/8" (26 cm x 24 cm)
- 1 1/2" I.P.S. top spud inlet
- 2 1/8" fully glazed trapway
- Closet bolts and caps included
- Toilet seat not included
- Static load rating of 1000 lbs. (See Notes)
- WaterSense compliant when used with a WaterSense compliant flushometer



COMPLIANCES & CERTIFICATIONS



(BREEAM Materials Credit, BREEAM Water Credit, EPD, Green Globes Materials & Resources Credit, Green Globes Water Credit, HPD, LEED Materials & Resources EPD Credit, LEED Materials & Resources HPD Credit, LEED V4 Water Efficiency Credit, Satisfies LEED Credits, WaterSense Listed, BAA Compliant)

DOWNLOADS

- [Additional Downloads](#)

NOTES

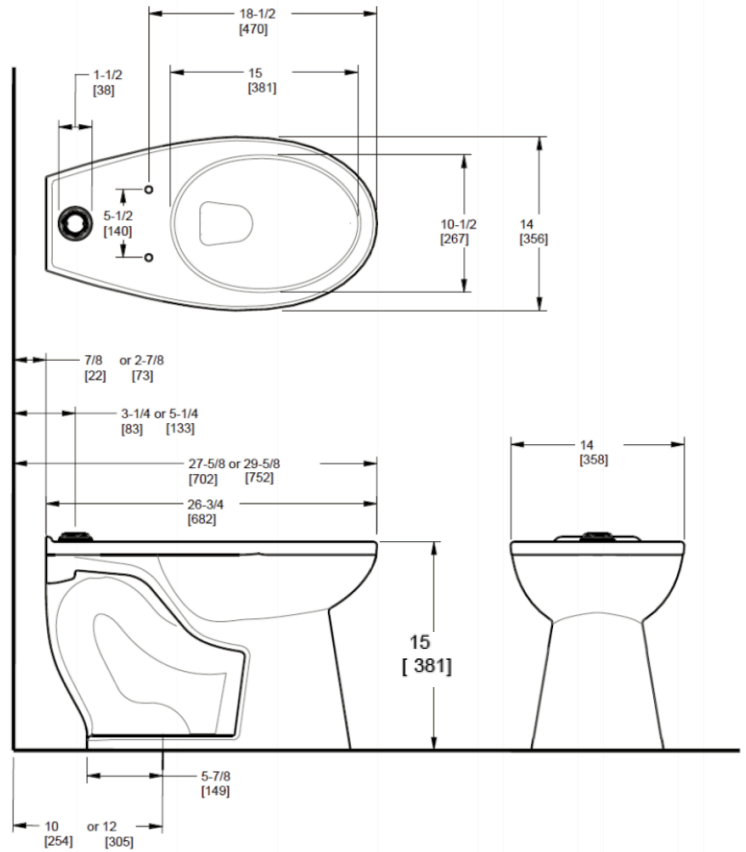
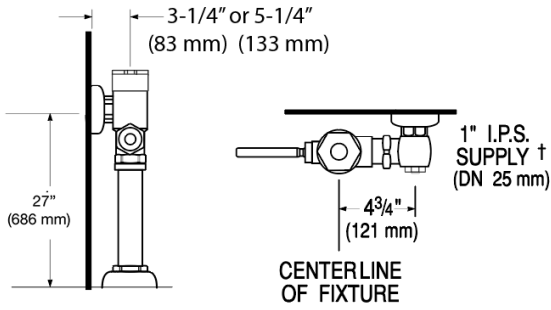
All information contained within this document subject to change without notice.

Static load tested according to the procedure outlined in Section 6.7 of ASME A112.19.2. Not recommended for bariatric use.

Sloan 10500 Seymour Ave, Franklin Park, IL 60131

Phone: 800.982.5839 • Fax: 800.447.8329 • sloan.com

ROUGH-IN



Sloan 10500 Seymour Ave, Franklin Park, IL 60131
Phone: 800.982.5839 • Fax: 800.447.8329 • sloan.com